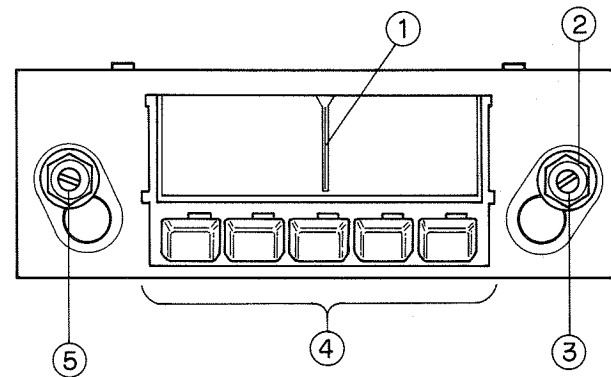


## SERVICE MANUAL

**No. 900**

**KEY TO ILLUSTRATION**

- ① POINTER
- ② TONE CONTROL
- ③ POWER SWITCH/VOLUME CONTROL
- ④ TUNING SELECTOR
- ⑤ TUNING CONTROL

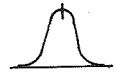
**SPECIFICATIONS**

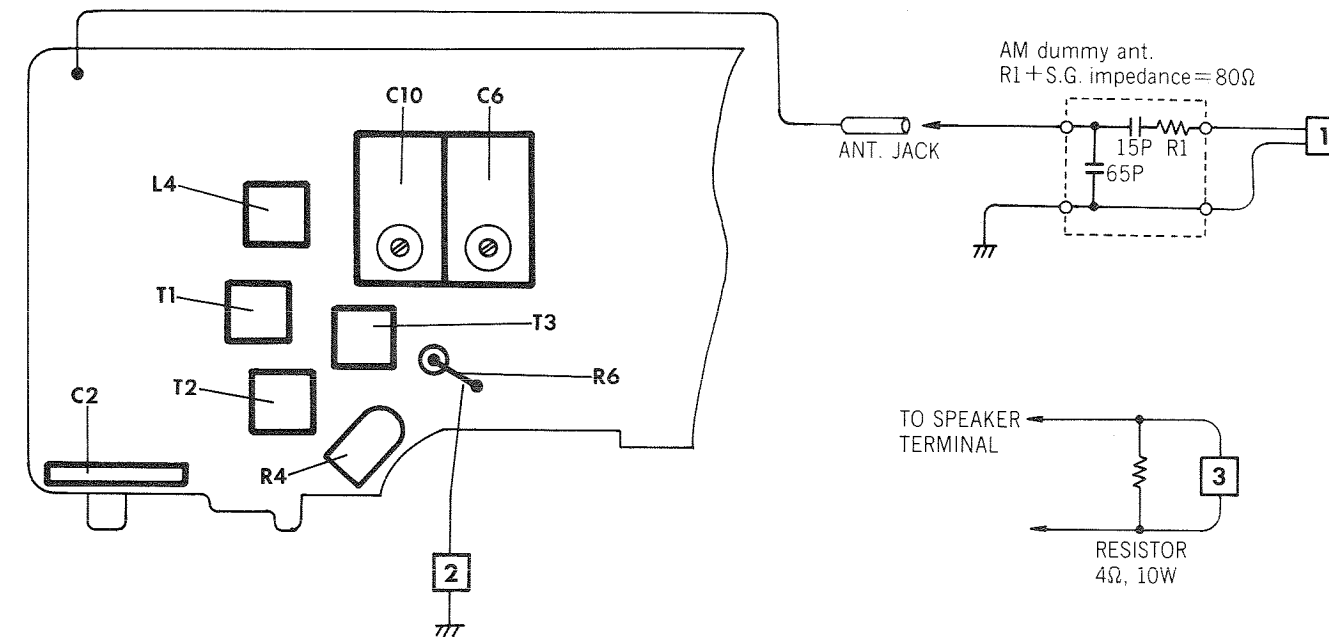
Circuit System :	Superheterodyne
Tuning Range :	530-1605 kHz
Intermediate Frequency :	455 kHz
Sensitivity :	20 dB (max.), 26 dB (pra.)
Antenna :	Telescopic antenna
Semi-conductors :	2 IC's 3 Diodes
Power Source :	14.4 V (Negative ground)
Power Consumption :	210 mA (at No signal)
Speaker :	4 ohm
Maximum Output :	7 W
Dimension :	5.0cm(H) × 16.0cm(W) × 8.0cm(D) 2"(H) × 6-5/16"(W) × 3-1/8"(D)
Weight :	900 g 2 lbs.

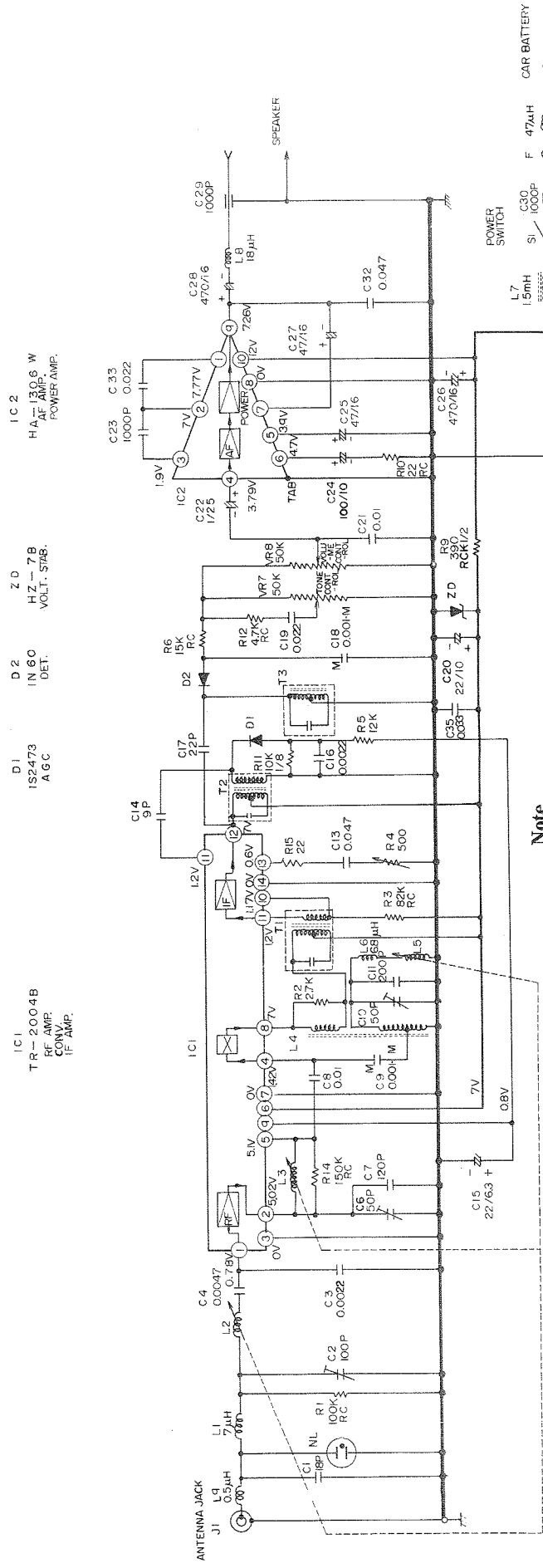
## CAR RADIO

Nov. 1976

**ADJUSTMENT**

Sequence	Connecting		Setting		Adjusting			
	Signal Source (Connect to)	Output Indicator (Connect to)	Tuning	Signal	Adjust	Indication		
1	1. Connect resistor (4Ω, 10W) to speaker terminal. 2. Set knob (VOLUME: MAX., TONE: HIGH)							
2	AM-IF	1	Set core (R4: CENTER)					
		2	AM Sweep gen.	Oscilloscope	f max.	455 kHz	T1 T2 T3	455kHz 
3	AM-RF	1	AM Signal gen.	V T V M	f min.	525 kHz	L4	V max.
		2			f max.	1640 kHz	C10	
		3			400Hz 30% Mod.		C2 (Ant. trimmer) C6	
4	AM SENSITIVITY			1000 kHz		R4	20dB	

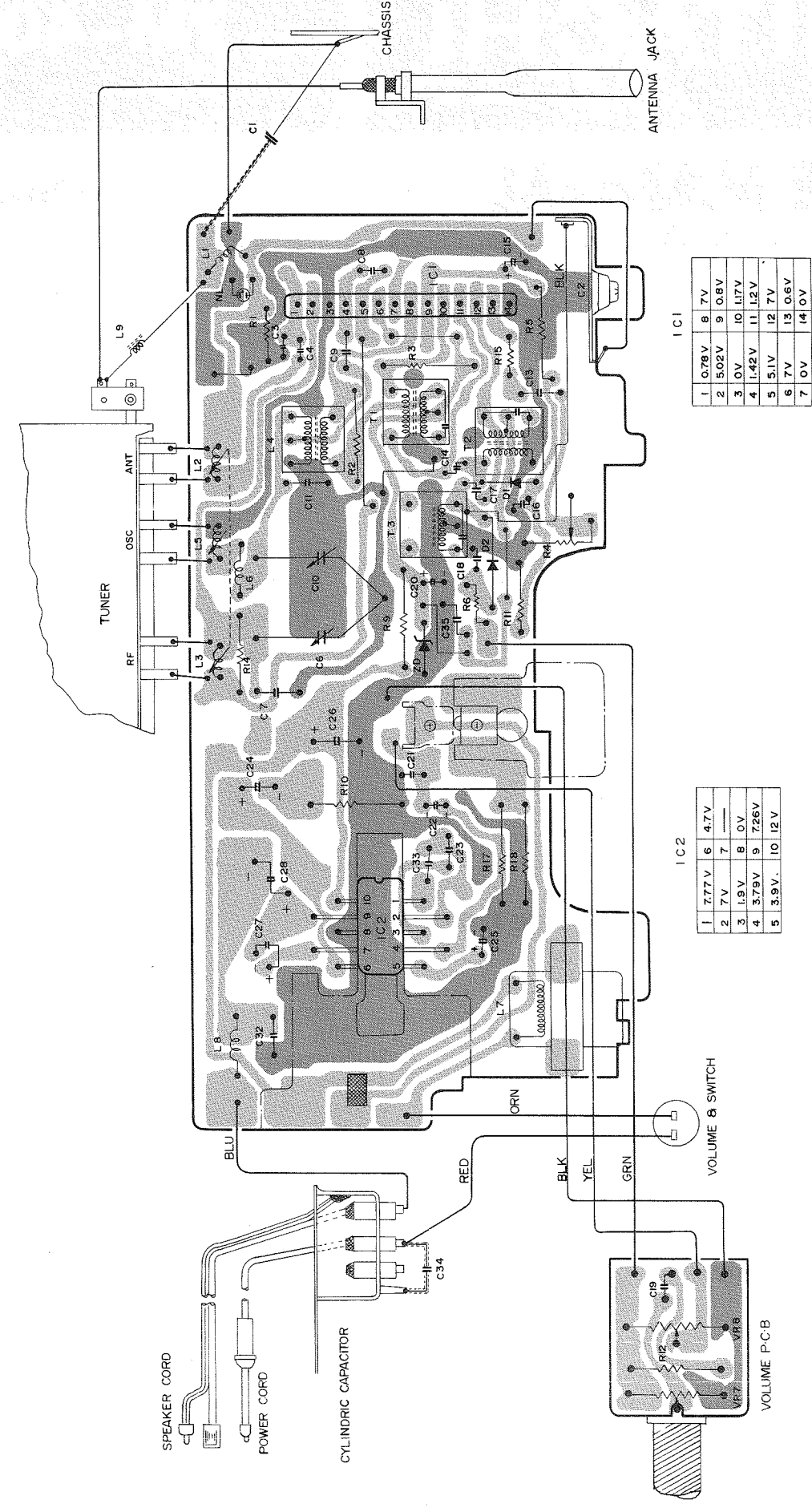
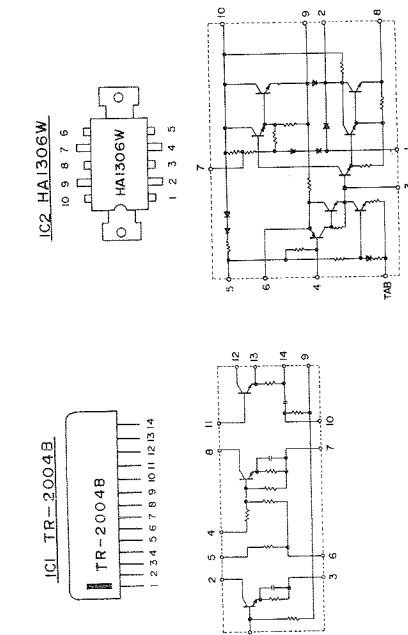
**INTERNAL VIEW**




**Note**

1. Voltage measured at base of chassis with minimum volume control and no signal.
2. Nomenclature of Resistors and Capacitors.
3. Be sure to make your orders of resistors and capacitors with value, voltage, tolerance and sort.
4. When replacing capacitors marked with "a", use the same parts list unless required temperature characteristics.

Resistor		Capacitor	
Value	Tolerance	Value	Tolerance
R1: 10K	±5%	C101: 0.001-M	±10%
R2: 10K	±5%	C102: 0.1/16	No indicated
R3: 1K	±5%		
R4: 500	±5%		
R5: 22	±5%		
R6: 15K	±5%		
R7: 50K	±5%		
R8: 390	±5%		
R9: 22K	±5%		
R10: 500	±5%		
R11: 10K	±5%		
R12: 47K	±5%		
R13: 50K	±5%		
R14: 100K	±5%		
R15: 100K	±5%		
R16: 100K	±5%		
R17: 390	±5%		
R18: 390	±5%		



IC1

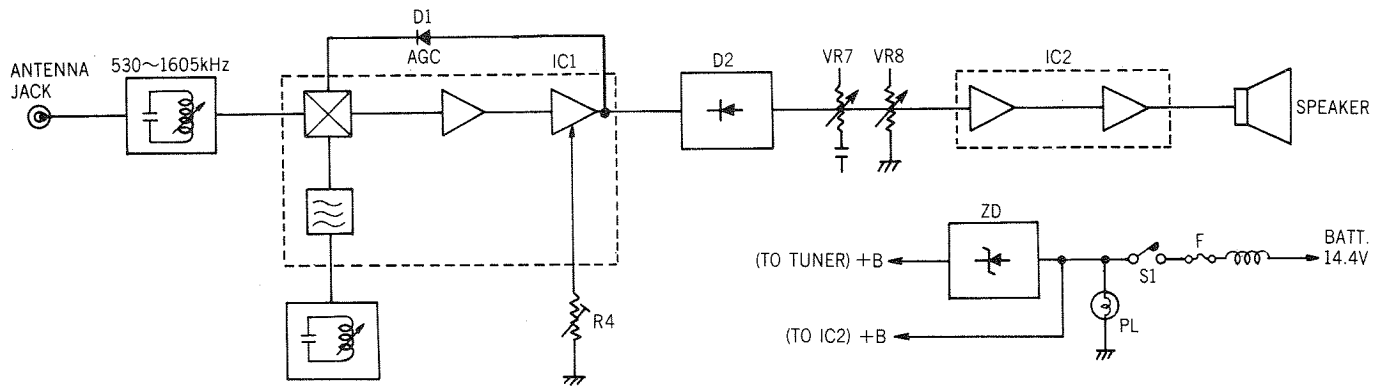
1	0.78V	8	7V
2	5.02V	9	0.6V
3	0V	10	1.17V
4	1.42V	11	1.2V
5	5.1V	12	7V
6	7V	13	0.6V
7	0V	14	0V

IC2

1	7.77V	6	4.7V
2	7V	7	
3	1.9V	8	0V
4	3.79V	9	7.26V
5	3.9V	10	12V

REPLACEMENT PARTS

Symbol No.	Stock No.	Description		Symbol No.	Stock No.	Description	
<b>CAPACITORS</b>				L 6	5152012	Choke	6.8 $\mu$ H
C 2	5058031	Trimmer	100pF	L 7	5220001	Choke	1.5mH
C 6	0283579	Trimmer	50pF	L 8	5152123	Choke	18 $\mu$ H
C 10	0283579	Trimmer	50pF	<b>MISCELLANEOUS</b>			
<b>RESISTORS</b>					5741612	Power cord	
R 4	0151807	Semi variable	500 $\Omega$		0591167	Fuse	1A
R 7	0156933	Variable			5583011	Tuner	
R 8	0156933	Variable			5760571	Lamp	
<b>SEMI-CONDUCTORS</b>					5675051	Antenna jack	
IC 1	5357505	IC	TR-2004D		5070073	Cylindric capacitor assembly	
IC 2	5350122	IC	HA-5306W		5740221	Cord with relay terminal	
D 1	5330572	Diode	IS-2473		5892281	EP connector	
D 2	0575005	Diode	IN-60	<b>MISCELLANEOUS</b>			
ZD	5330312	Zener Diode	HZ-7B		6143441	Cover	
<b>TRANSFORMERS</b>					7241652	Back plate	
T 1	0322116	AM IF			6394011	Pointer	
T 2	0322117	AM IF			6728561	Lamp cover	
T 3	0322117	AM IF			6141132	Cover	
<b>COILS</b>					7517131	Tuning shaft	
L 1	5150781	Choke	7 $\mu$ H		6271092	Push button	
					0629187	Washer-9mm $\phi$	
					0643135	Nut-9mm $\phi$	



**HITACHI**

Head Office : 5-1, 1 chome, Marunouchi, Chiyoda-ku, Tokyo  
 Tel. Tokyo (212) 1111 (80 lines)  
 Cable Address: "HITACHY" TOKYO  
 Codes : All Codes Used